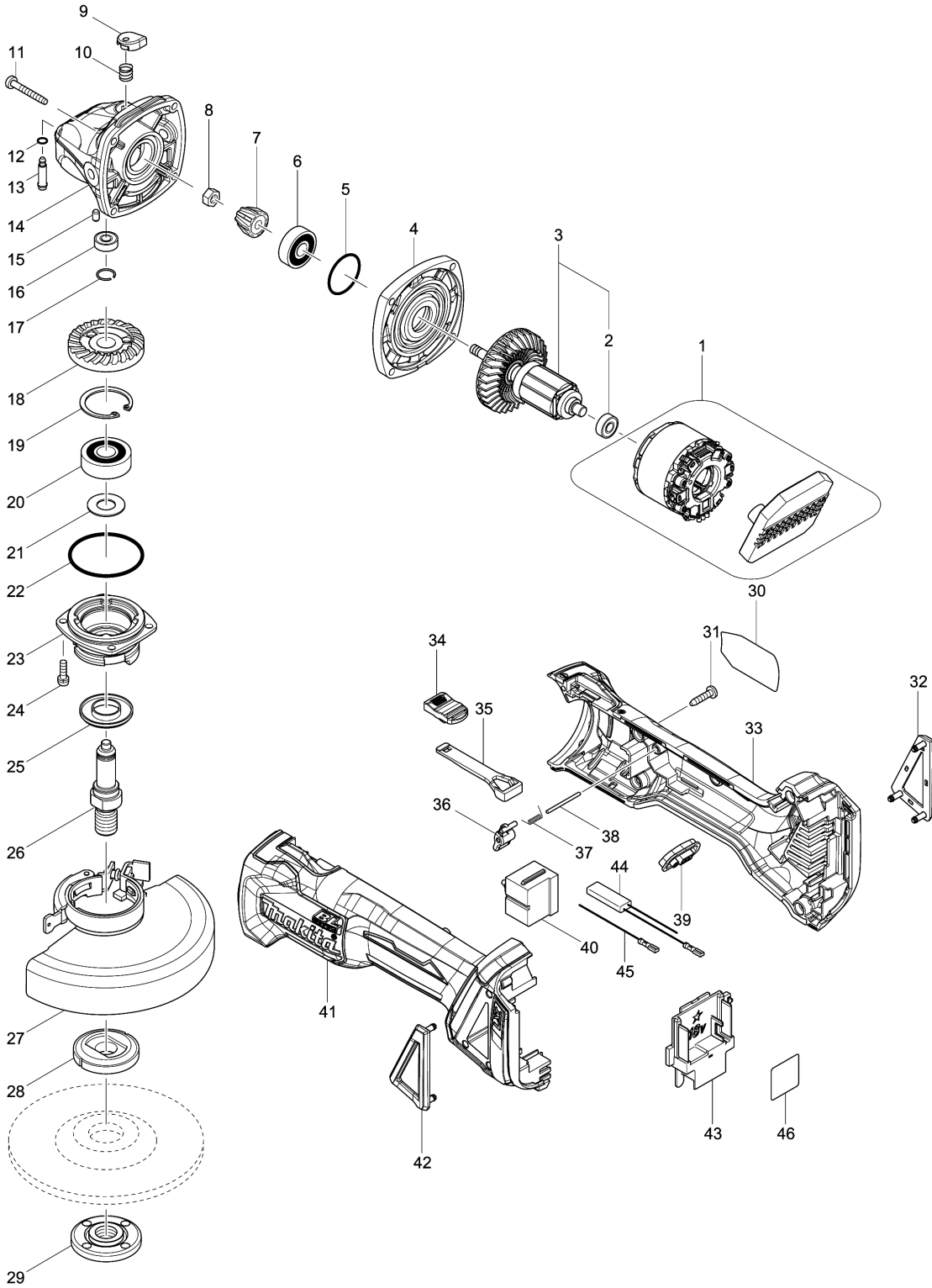


Model No.DGA504 125MM CORDLESS ANGLE GRINDER





Model No.DGA504 125MM CORDLESS ANGLE GRINDER

Item	Parts No.	Description	I/C	Qty	New/Old	Opt. 1	Opt. 2	Note
001B	629140-1	STATOR COMPLETE		1	*			
C10	688131-1	LINE FILTER		1	*			
001C	629140-1	STATOR COMPLETE		1	*			
C10	688131-1	LINE FILTER		1	*			
001-1B	629173-6	STATOR COMPLETE	S	1	*			
001-1C	629173-6	STATOR COMPLETE	S	1	*			
001-1G	629173-6	STATOR COMPLETE		1	*			
001-2	629176-0	STATOR COMPLETE	O	1	*			
001-3	629173-6	STATOR COMPLETE	O	1				
002	210034-7	BALL BEARING 607LLB		1	*			
002-1	210169-4	BALL BEARING 607LLB	<	1				
003B	519354-9	ROTOR ASS'Y		1	*			
D10		INC. 2			*			
003C	519354-9	ROTOR ASS'Y		1	*			
D10		INC. 2			*			
003-1B	519378-5	ROTOR ASS'Y	O	1	*			
D10		INC. 2			*			
003-1C	519378-5	ROTOR ASS'Y	O	1	*			
D10		INC. 2			*			
003-1G	519378-5	ROTOR ASS'Y		1	*			
D10		INC. 2			*			
003-2	510329-1	ROTOR ASS'Y	<	1				
D10		INC. 2						
004	319214-3	GEAR HOUSING COVER		1				
005	213445-5	O-RING 26		1	*			
005-1	213407-3	O RING 26	O	1				
006	210042-8	BALL BEARING 629LLB		1				
007	227541-3	SPIRAL BEVEL GEAR 10		1	*			
007-1	226861-2	SPIRAL BEVEL GEAR 10	S	1				
008	252186-8	HEX. NUT M6		1				
009	417771-6	PIN CAP		1				
010	233072-2	COMPRESSION SPRING 8		1				
011	266361-0	TAPPING SCREW 4X30		4				
012	213960-9	O RING 5		1				
013	256546-6	SHOULDER PIN 4		1				
014	319213-5	GEAR HOUSING		1				
015	263002-9	RUBBER PIN 4		1				
016	210033-9	BALL BEARING 696ZZ		1				
017	233950-6	RING SPRING 11		1				
018	227641-9	SPIRAL BEVEL GEAR 37		1	*			
018-1	226862-0	SPIRAL BEVEL GEAR 37	S	1				
019	962151-6	RETAINING RING R-32		1				

Please order the parts with part number.

Print Date 26/3/2020

Model No.DGA504 125MM CORDLESS ANGLE GRINDER

Item	Parts No.	Description	I/C	Qty	New/Old	Opt. 1	Opt. 2	Note
020	211129-9	BALL BEARING 6201DDW		1				
021	267113-2	FLAT WASHER 12		1				
022	213622-9	O RING 45		1				
023	318331-6	BEARING BOX		1				
024	911121-2	PAN HEAD SCREW M4X14		4				
025	345464-4	LABYRINTH RING		1				
026	324954-0	SPINDLE		1				
027	123145-8	TOOLLESS WHEELCOVER 125AK ASSY		1				
C10	213009-5	O RING 4		1				
C20	265180-1	PAN HEAD SCREW M5X16		1				
028	224415-9	INNER FLANGE 42		1	*			
028-1	224490-5	INNER FLANGE 14-45	O	1	*			
028-2	224415-9	INNER FLANGE 42	O	1				
029	224554-5	LOCK NUT 14-45		1				
030	850J42-2	DGA504 NAME PLATE		1				
031	266326-2	TAPPING SCREW 4X18		5				
032	455450-8	DUST COVER R		1				
033	187998-9	MOTOR HOUSING SET		1				
C10	263005-3	RUBBER PIN 6		2				
D10		INC. 41						
034	455447-7	SWITCH KNOB		1				
035	455446-9	SWITCH LEVER		1				
036	455448-5	LEVER		1				
037	231679-8	TORSION SPRING 2		1				
038	268330-7	PIN 2		1				
039	142901-7	INDICATOR PANEL COMPLETE		1				
040	650579-7	SWITCH 1246.3223		1				
041	187998-9	MOTOR HOUSING SET		1				
C10	263005-3	RUBBER PIN 6		2				
D10		INC. 33						
042	455449-3	DUST COVER L		1				
043	643899-6	TERMINAL		1				
044B	632E34-1	RESISTOR UNIT		1	*			
044C	632E34-1	RESISTOR UNIT		1	*			
045B	632E33-3	LEAD UNIT		1	*			
045C	632E33-3	LEAD UNIT		1	*			
046	850J49-8	DGA504 SERIAL NO. LABEL		1				
A01	A-80656	GRINDING WHEEL 125 WA36N		1				
A02	162258-0	VIBRATION PROOF GRIP		1				
A03	782423-1	LOCK NUT WRENCH 35		1				
A04C	***DC18RC	DC18RC FAST CHARGER		1				
A04G	***DC18RC	DC18RC FAST CHARGER		1				

Please order the parts with part number.

Print Date 26/3/2020

Model No.DGA504 125MM CORDLESS ANGLE GRINDER

Item	Parts No.	Description	I/C	Qty	New/Old	Opt. 1	Opt. 2	Note
A05C	196399-0	BATTERY BL1840 SET		2	*			
A05-1C	196399-0	BATTERY BL1840 SET	O	2	*			
A05-2C	197265-4	BATTERY BL1840B SET	<	2	*			
A05-2G	197280-8	BATTERY BL1850B SET		2	*			
A05-3C	197265-4	BATTERY BL1840B SET	O	2				
A05-3G	197280-8	BATTERY BL1850B SET	O	2				
A06C	450128-8	BATTERY COVER		1				
A06G	450128-8	BATTERY COVER		1				
A07C	821551-8	CONNECTOR PLASTIC CASE (TYPE3)		1				
C10	453974-8	LATCH		4				
A07G	821551-8	CONNECTOR PLASTIC CASE (TYPE3)		1				
C10	453974-8	LATCH		4				
A08C	838175-3	INNER TRAY		1				
A08G	838175-3	INNER TRAY		1				
A09C	805J11-8	DGA504RMJ INDICATION LABEL		1				
A09G	808E20-6	DGA504RTJ INDICATION LABEL		1				
A10C	805J12-6	DGA504RMJ PLASTIC CASE LABEL		2				
A10G	808E21-4	DGA504RTJ PLASTIC CASE LABEL		2				

Please order the parts with part number.

Print Date 26/3/2020